

Stud and Hub Cleaning Kit

The Checkpoint Stud and Hub Cleaning Kit quickly and effectively removes rust, corrosion and dirt from wheel studs and hubs.

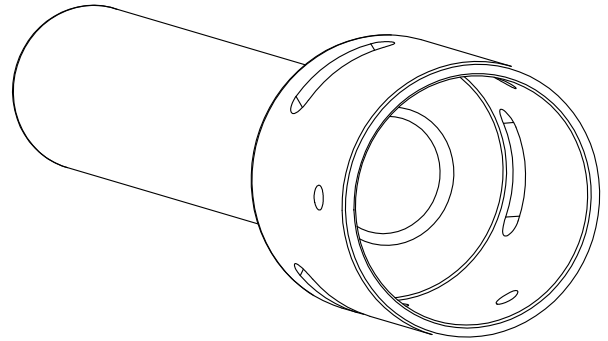
MAINTENANCE



Stud and Hub Cleaning Kit

Product: Stud and Hub Cleaning Kit

Product Code: See table below



Function: The Checkpoint Stud and Hub Cleaning Kit quickly and effectively removes rust, corrosion and dirt from wheel studs and hubs. This helps to ensure the secure fitment of wheels and wheel nuts to minimise the risk of wheel detachment. Designed to be used with a handheld drill the kit includes a tool, three stud cleaning inserts and universal hub cleaning insert. All inserts are replaceable and easily interchangeable.

Material: Stud Cleaning Tool – One-piece anodized aluminium

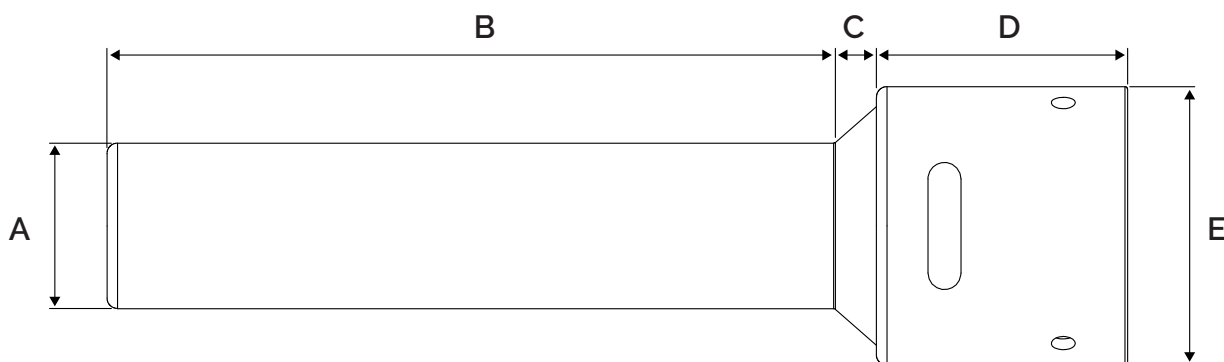
Stud Cleaning Inserts – Glass filled nylon casing with steel bristles

Hub Cleaning Insert – Glass filled nylon casing with aluminium oxide abrasive

Application: The tool is designed for use on a range of heavy goods and public service vehicles and has three stud brushes to fit sizes M18, M20 and M22 studs, as well as a hub cleaning attachment.

Sizes:

PRODUCT CODE	PRODUCT DESCRIPTION
SCTM22	Stud cleaning tool with M22 insert – tool suitable for M18, M20, M22 and hub brush inserts
SCIM18	Stud cleaner insert M18
SCIM20	Stud cleaner insert M20
SCIM22	Stud cleaner insert M22
HBIM22	Hub brush insert – insert into SCTM22 – suitable for all commercial vehicles
SHCK	Kit featuring SCTM22, SCIM20, SCIM18 and HBIM22



Specifications

A = 31.6 mm B = 139 mm C = 8 mm D = 48 mm E = 53.2 mm

**GLOBAL LEADERS
IN WHEEL SAFETY**

Tel: +44 (0)1524 271 200
 info@checkpoint-safety.com
 www.checkpoint-safety.com

Checkpoint®
 THE ORIGINAL AND THE BEST